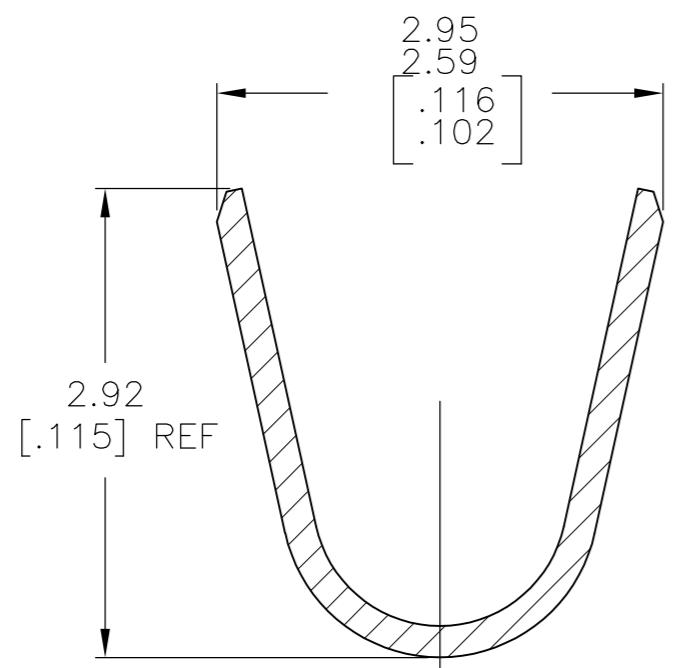
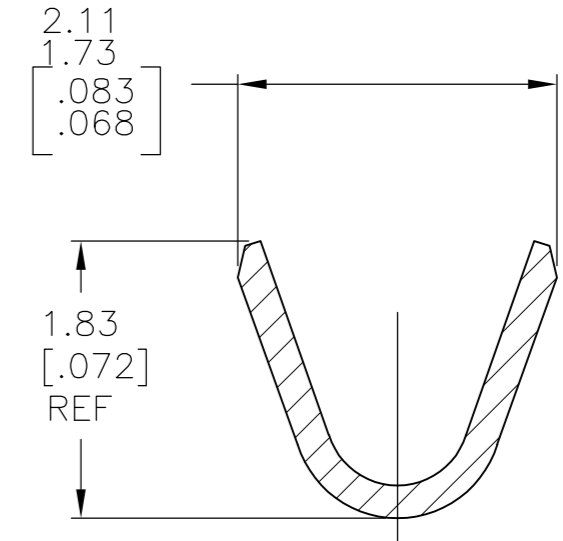
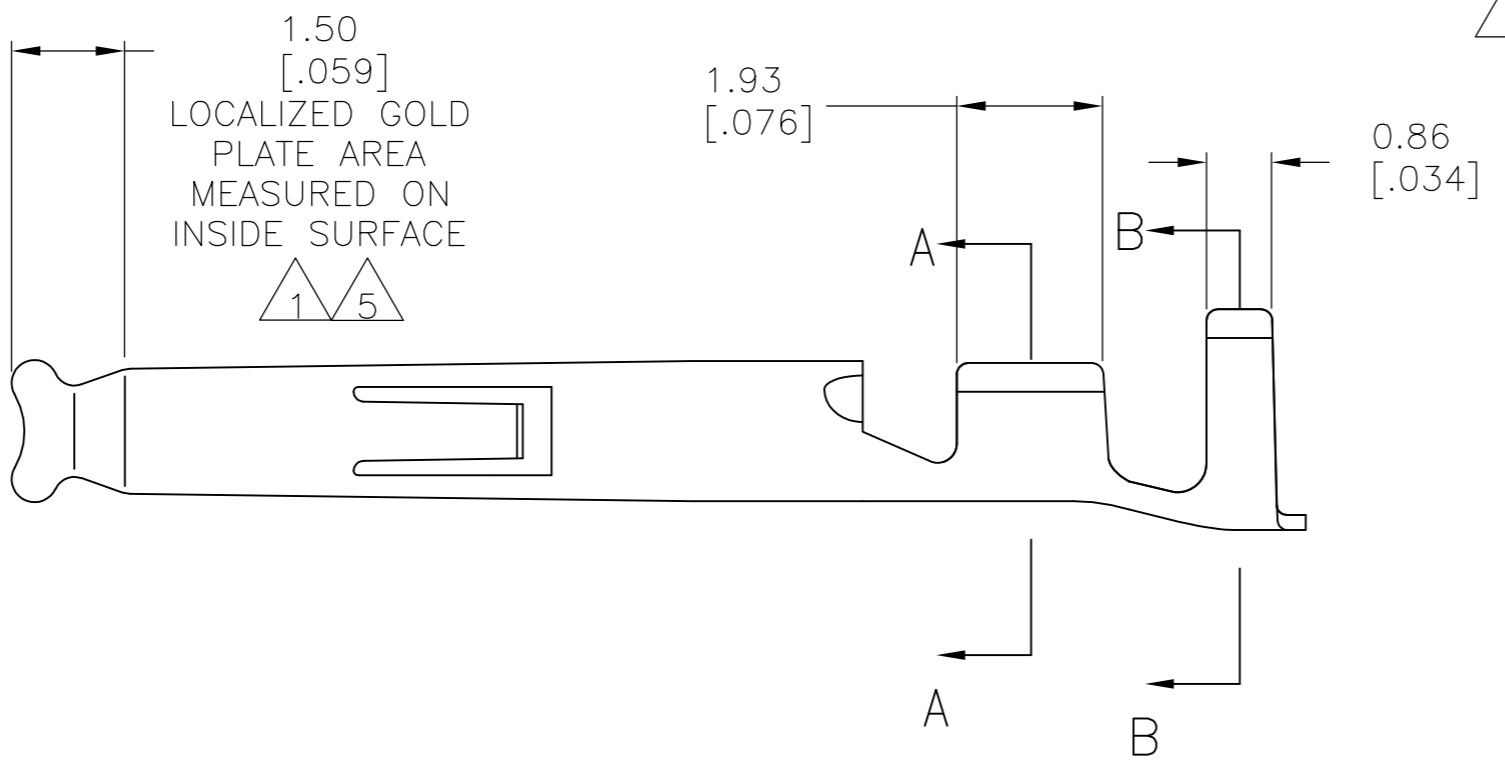
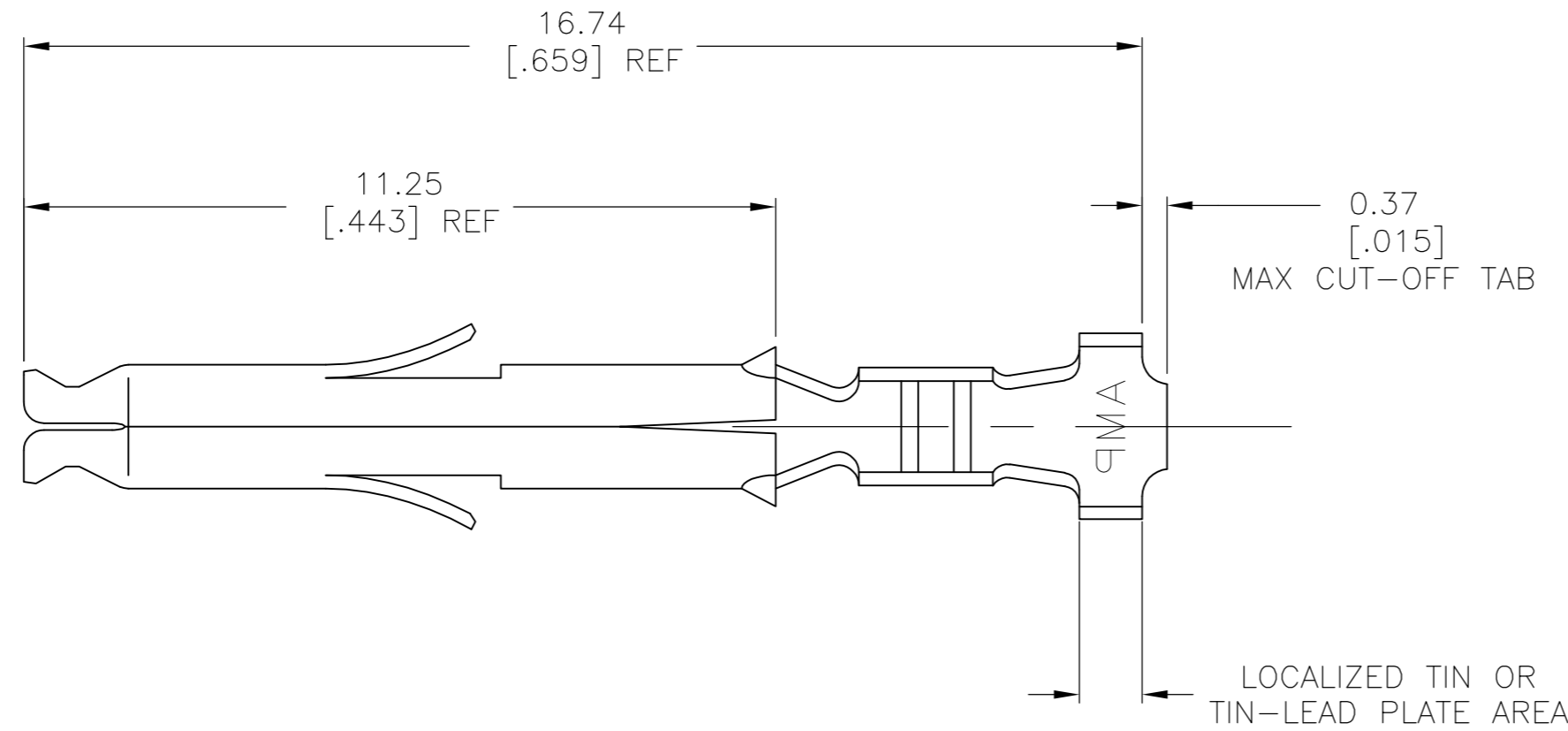
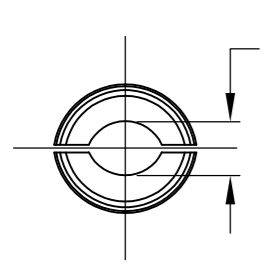


THIS DRAWING IS UNPUBLISHED. RELEASED FOR PUBLICATION  
 © COPYRIGHT - By - ALL RIGHTS RESERVED.

LOC		DIST		REVISIONS			
P	LTR	DESCRIPTION		DATE	DWN	APVD	
CM	00	H2	REVISED PER ECO-11-004820	11MAR11	RK	HMR	



- 1 0.00076 [.000030] MIN GOLD IN LOCALIZED GOLD PLATE AREA AND 0.00254 [.000100] MIN BRIGHT TIN-LEAD IN LOCALIZED TIN-LEAD PLATE AREA OVER 0.0013 [.000050] MIN NICKEL.
- 2 WIRE RANGE: 0.12-0.4mm<sup>2</sup> (26-22 AWG).
- 3 INSULATION RANGE: 1.20-1.75 [.047-.069] DIA.
- 4 DIMENSIONS IN BRACKETS ARE IN INCHES.
- 5 0.00076 [.000030] MIN GOLD IN LOCALIZED GOLD PLATE AREA AND 0.00254 [.000100] MIN BRIGHT TIN IN LOCALIZED TIN PLATE AREA OVER 0.0013 [.000050] MIN NICKEL.
- 6 OBSOLETE PARTS: OBSOLETE CIS STREAMLINING PER D.RENAUD/D.SINISI

6	OBSOLETE	5	0.20 [.008] PH BRZ	4-770986-1
		5	0.20 [.008] BRASS	1-770986-0
		1	0.20 [.008] BRASS	770986-3
			PRE-TIN	0.20 [.008] BRASS
			FINISH	MATERIAL
				PART NUMBER

THIS DRAWING IS A CONTROLLED DOCUMENT.

DWN S. HOOVER 18OCT02	TE Connectivity
CHK C. JONES 18OCT02	
APVD C. JONES 18OCT02	
PRODUCT SPEC C. JONES	
APPLICATION SPEC	NAME
WEIGHT	SIZE
CUSTOMER DRAWING	CAGE CODE
SCALE 10:1	DRAWING NO
SHEET 1 of 1	RESTRICTED TO
REV H2	

SOCKET, LOOSE PIECE, MINI UNIVERSAL MATE-N-LOK(TM)

SCALE 10:1 SHEET 1 of 1 REV H2

METRIC